

Type: Wall

Light source: D85A LED module 21W⁽¹⁾ 2700K CRI 80
 dimmable phase cut 1.514 lm
 D85AC LED module 21W⁽¹⁾ 3000K CRI 80
 dimmable phase cut 1.577 lm
 D85AD LED module 21W⁽¹⁾ 2700K CRI 80
 dimmable DALI 1.514 lm
 D85ADC LED module 21W⁽¹⁾ 3000K CRI 80
 dimmable DALI 1.577 lm

Product use: Indoor

Materials: Aluminium and polycarbonate

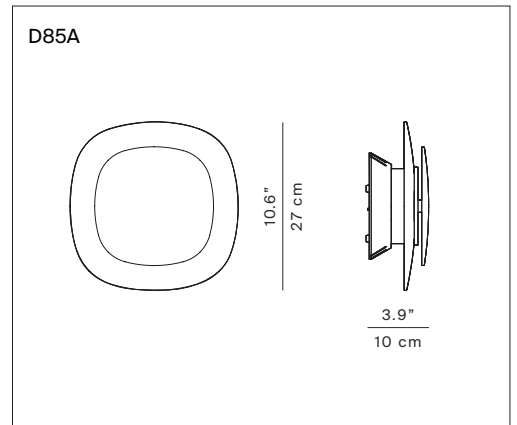
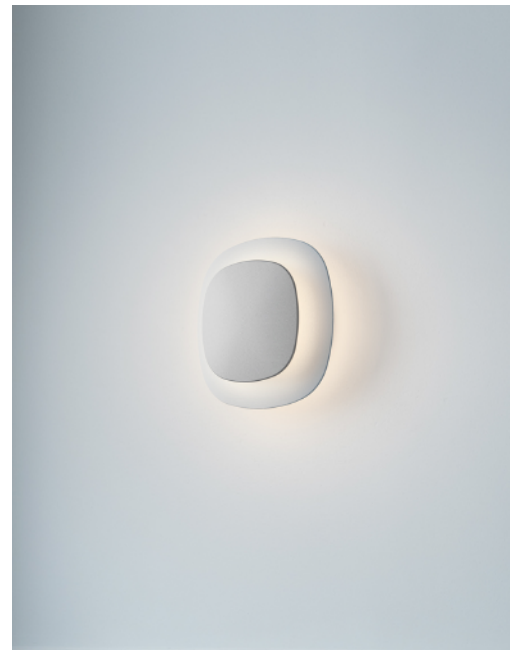
Colors: Matt white

Description: A wall lamp with extraordinary decorative character and immediate impact. The structure is the result of the staggered overlaying of two concentric surfaces in technopolymer.

Insulation class and mark:

Rating: 220-240 V ~ 50/60 Hz, 21W

Reference code:	D85A	1D850A000002	matt white
		1D850A000004	pearl
		1D850A000024	pink powder
		1D850A000028	sand
D85AC	1D850AOC0002	matt white	
	1D850AOC0004	pearl	
	1D850AOC0024	pink powder	
	1D850AOC0028	sand	
D85AD	1D850AD00002	matt white	
	1D850AD00004	pearl	
	1D850AD00024	pink powder	
	1D850AD00028	sand	
D85ADC	1D850ADC0002	matt white	
	1D850ADC0004	pearl	
	1D850ADC0024	pink powder	
	1D850ADC0028	sand	



⁽¹⁾ Power consumption by device

