



LITA

Design David Dolcini

**LUCE
PLAN**

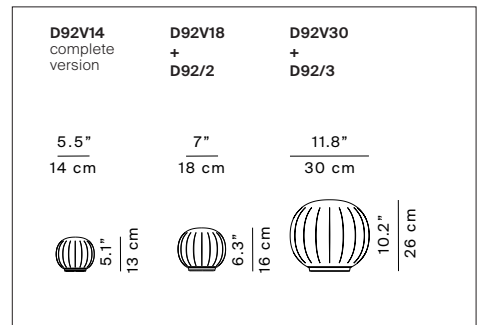
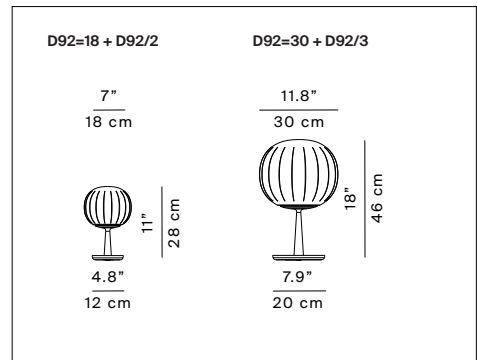
Type:	Table
Light source:	LED G9 dimmable LED E27 dimmable
Product use:	Indoor
Materials:	Solid ash wood or painted aluminium, blown glass diffuser
Colors:	Structure: painted matt white, brass or ash wood Diffuser: satin opal

Description: The diffuser in opaline blown glass – whose surface is scanned by the repetition of slight vertical cusps that vanish at the extremities – is combined with a wooden or aluminium structure, making Lita a product with a forceful material character. A timeless and evocative object that combines the crafts tradition with technical research, seductive in its way of matching visual and tactile sensations.

Insulation class and mark:   

Rating: 220-240 V ~ 50/60 Hz

Reference code:	Structure	
	D92V14 1D920V140000	white (complete version)
	1D920V140030	brass (complete version)
	D92=18 1D920=180002	painted matt white
	D92=18 1D92Z=180099	ash wood (*)
	D92V18 1D920V180000	painted matt white
	1D920V180030	brass
	D92=30 1D920=300002	painted matt white
	D92=30 1D92Z=300099	ash wood (*)
	D92V30 1D920V300000	painted matt white
	1D920V300030	brass
	Diffuser	
	D92/2 1D920/200002	opal (Ø 18 cm)
	D92/3 1D920/300002	opal (Ø 30 cm)



Certification (*):



The mark of
responsible forestry