

COMPENDIUM CIRCLE

design Daniel Rybakken



Type: Suspension

Lamps: **D81C07:** Ø 72 cm: LED 52W 3000K^(*) CRI 90
D81C07W: Ø 72 cm: LED 52W 2700K^(*) CRI 90
 black: 1.788 lm, brass: 2.133 lm, alu: 2.246 lm
D81C11: Ø 110 cm: LED 75W 3000K^(*) CRI 90
D81C11W: Ø 110 cm: LED 75W 2700K^(*) CRI 90
 black: 2.503 lm, brass: 2.958 lm, alu: 3.145 lm
D81C20: Ø 200 cm: LED 125W 3000K^(*) CRI 90
D81C20W: Ø 200 cm: LED 125W 2700K^(*) CRI 90
 black: 4.292 lm, brass: 5.071 lm, alu: 5.392 lm

Product use: Indoor

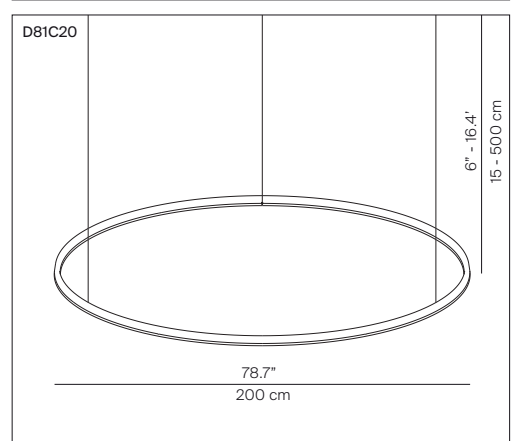
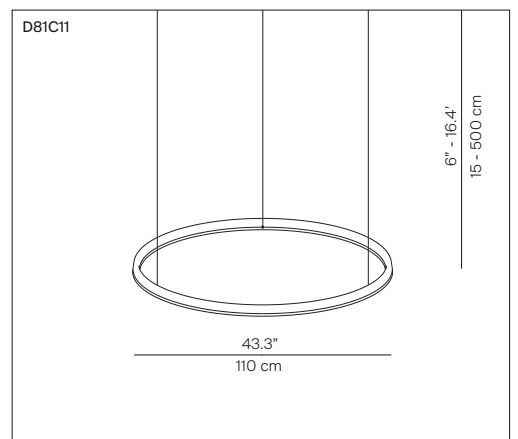
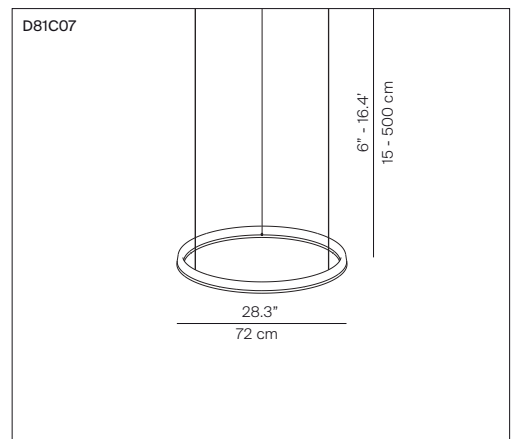
Materials: Profile in painted extruded aluminum

Colors: Black, brass, aluminum

Description: Compendium family, Circle is a lamp with a poetic nature and an essential design, whose lightness is sustained by LED technology, installed to permit direct emission when pointed downward, or diffused light when aimed upward.

Insulation class and marks:

Rating: **D81C07-D81C07W+D81/4** 220-240 V ~ 50/60 Hz, 52W
D81C11-D81C11W +D81/5 220-240 V ~ 50/60 Hz, 75W
D81C20-D81C20W+D81/6 220-240 V ~ 50/60 Hz, 125W



Reference code: Structure 3000K

D81C07	1D810C070020	alu
	1D810C070001	black
	1D810C070030	brass
D81C11	1D810C110020	alu
	1D810C110001	black
	1D810C110030	brass
D81C20	1D810C200020	alu
	1D810C200001	black
	1D810C200030	brass
Structure 2700K		
D81C07W	1D810C07W020	alu
	1D810C07W001	black
	1D810C07W030	brass
D81C11W	1D810C11W020	alu
	1D810C11W001	black
	1D810C11W030	brass
D81C20W	1D810C20W020	alu
	1D810C20W001	black
	1D810C20W030	brass

Ceiling rose

for D81C07 **D81/4** 1D810/400000 max 60W dimmable push/DALI
 for D81C11 **D81/5** 1D810/500000 max 100W dimmable push/DALI
 for D81C20 **D81/6** 1D810/600000 max 150W dimmable push/DALI

Remote drivers

for D81C07 **D81/10** 1D810/100000 max 60W dimmable push/DALI
 for D81C11 **D81/11** 1D810/110000 max 100W dimmable push/DALI
 for D81C20 **D81/12** 1D810/120000 max 150W dimmable push/DALI

Cover **D81/8** 1D810/800002 optional remote drivers cover/plate for multiple configurations

^(*) Power consumption by device

COMPENDIUM CIRCLE

design Daniel Rybakken



Minimum distances between devices to avoid rubbing steel cable on lamp and the excessive tension of the cable.

