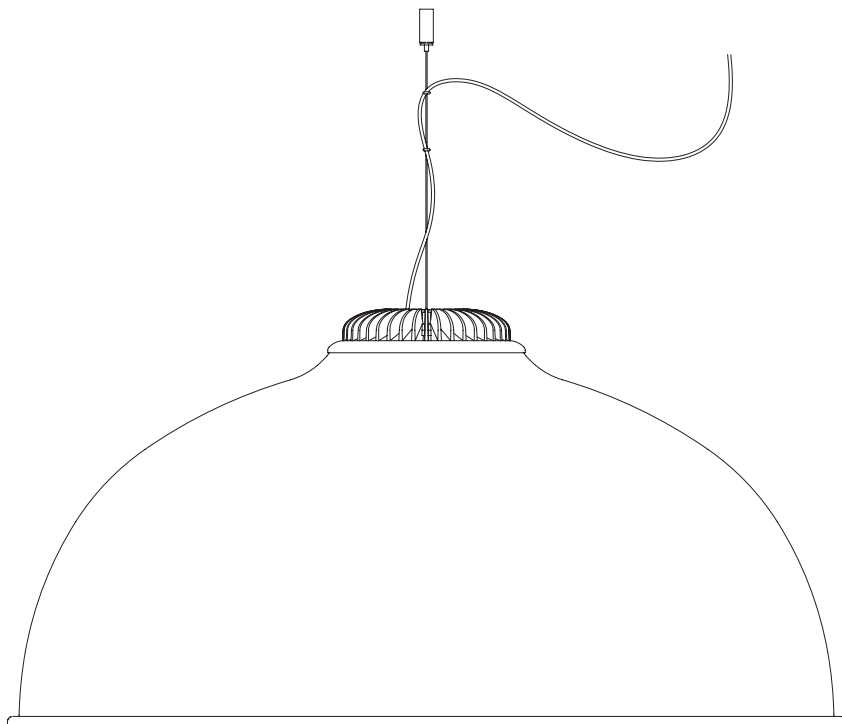


FAREL

design Diego Sferrazza



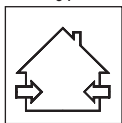
**LUCE
PLAN**

D96

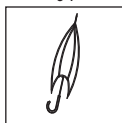


D96

01



04



13



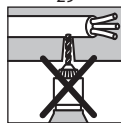
18



22



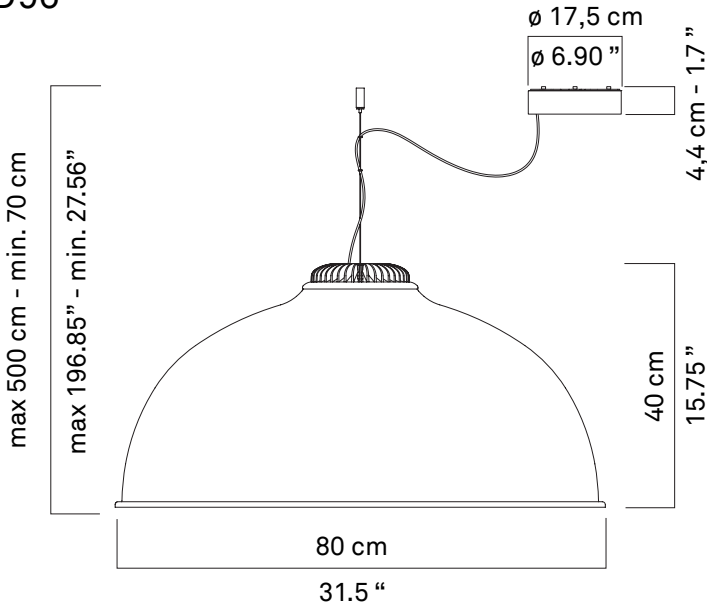
29



31



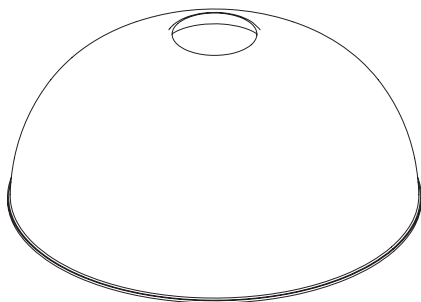
D96



kg 4,2 kg

lb 9,26 lb

D96C



x1

D961D - D962D - D963D - D964D



x1



x1



x1



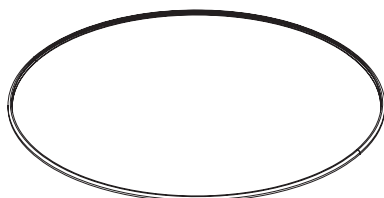
x1



x1

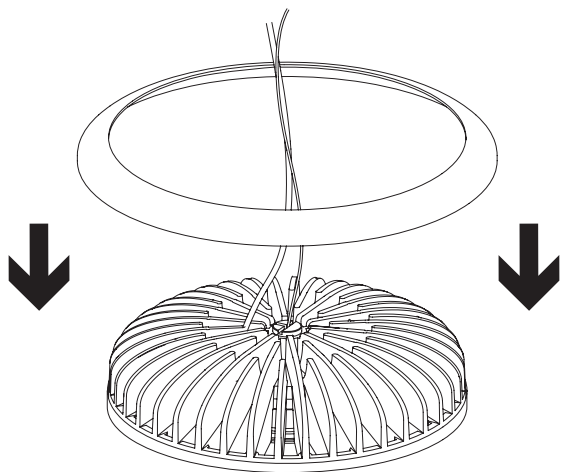


x5

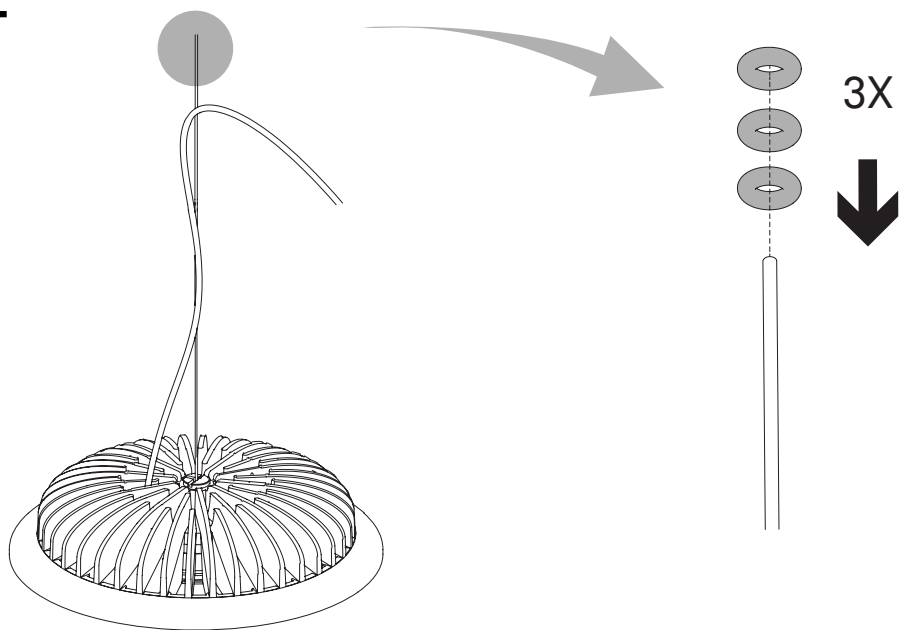


x1

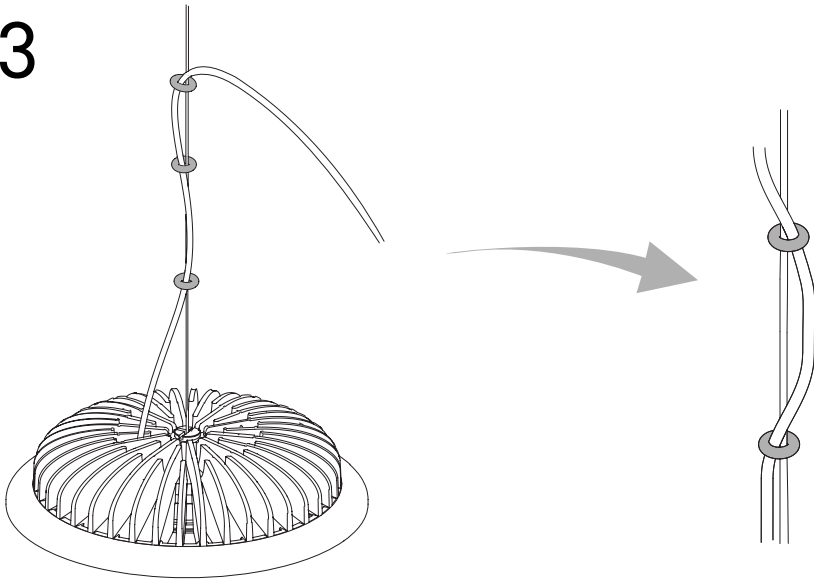
1 | 1.1



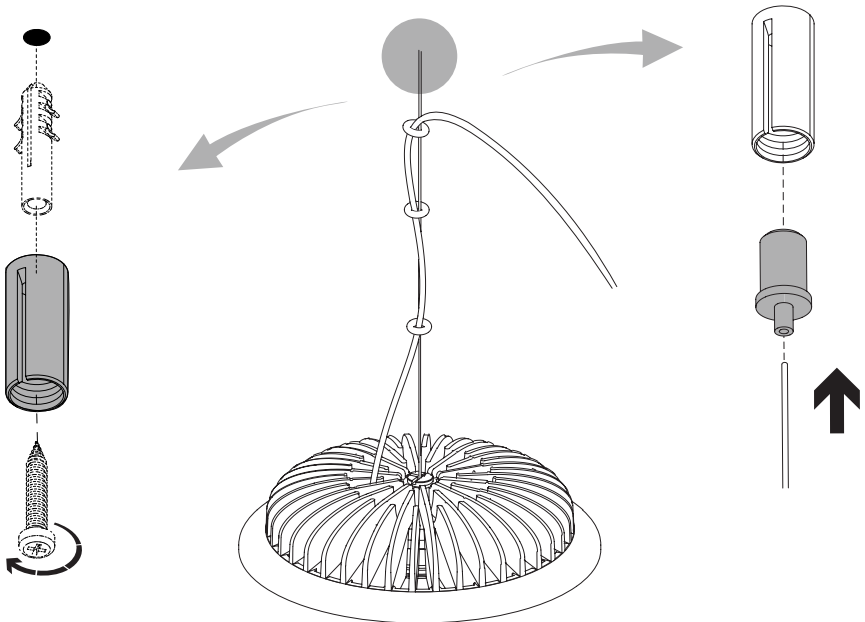
1.2



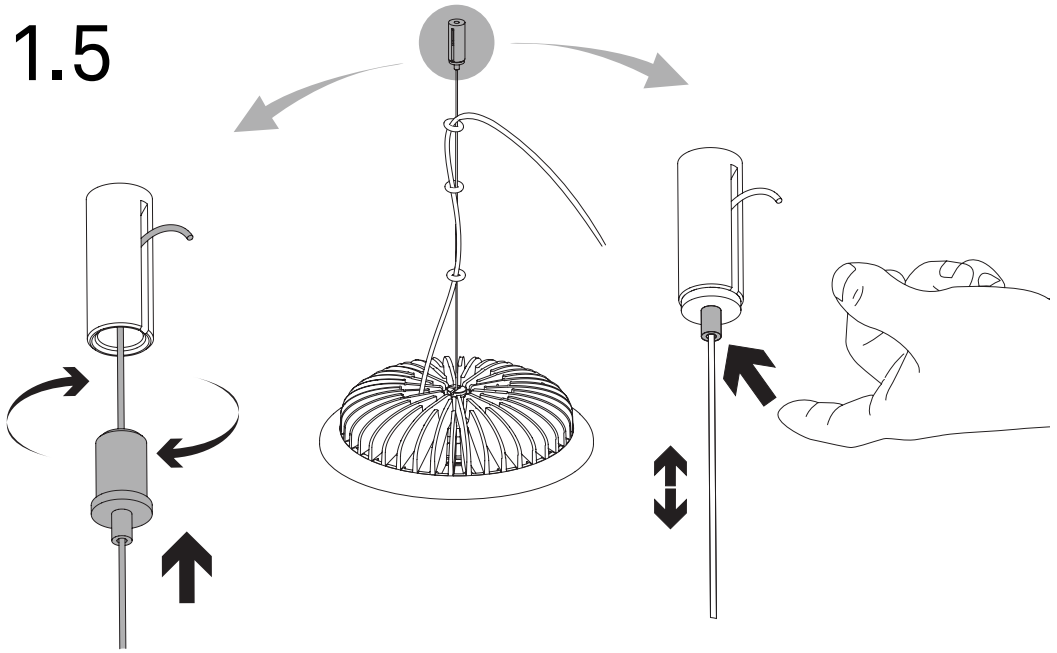
1.3



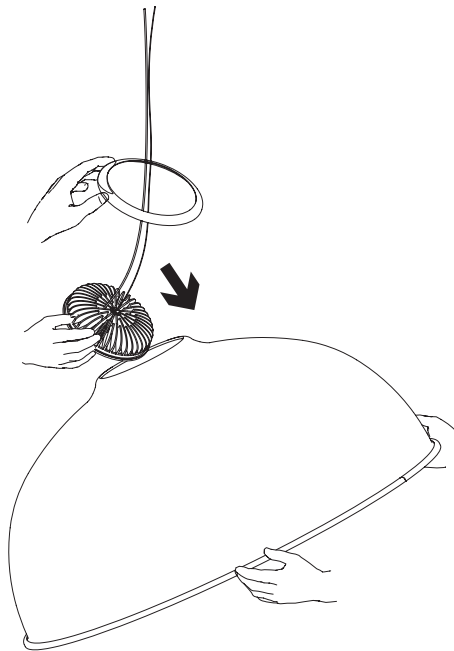
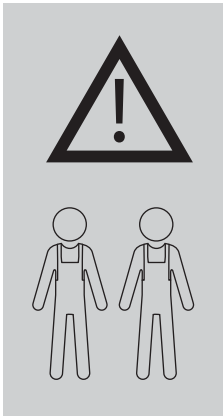
1.4



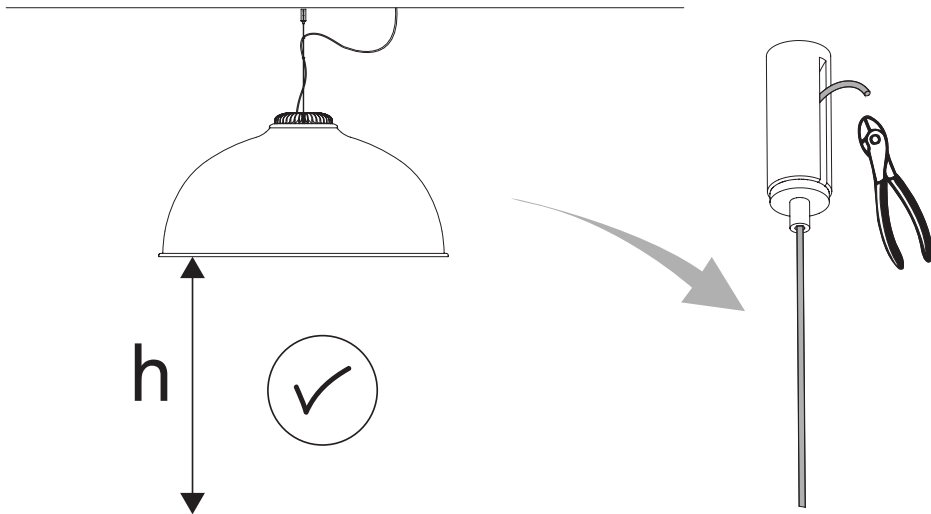
1.5



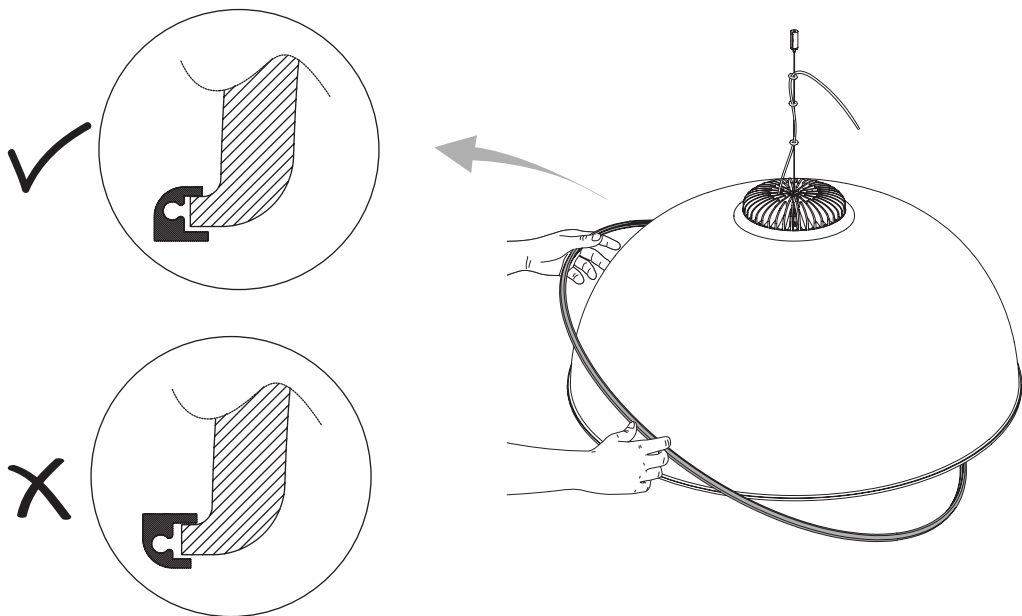
1.6



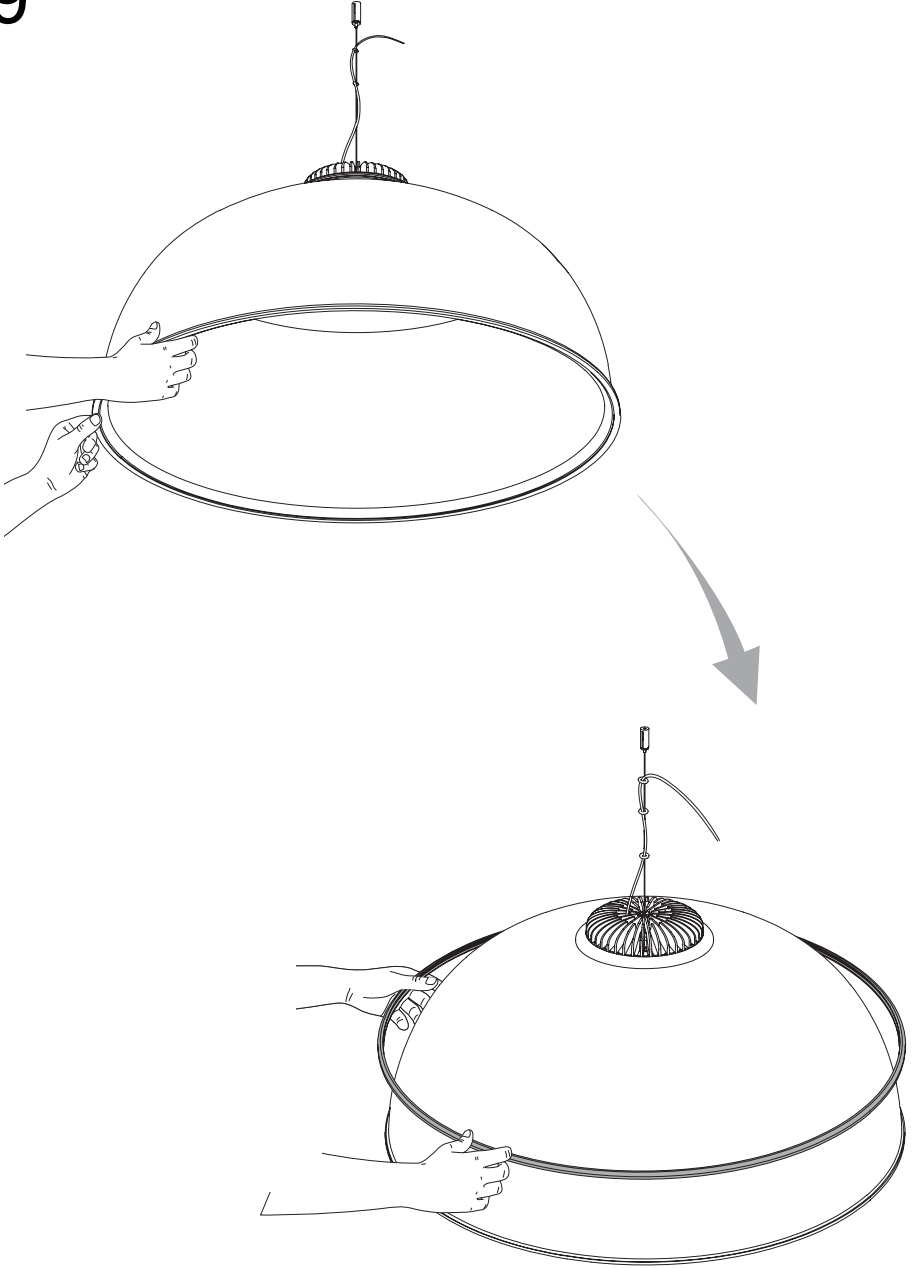
1.7



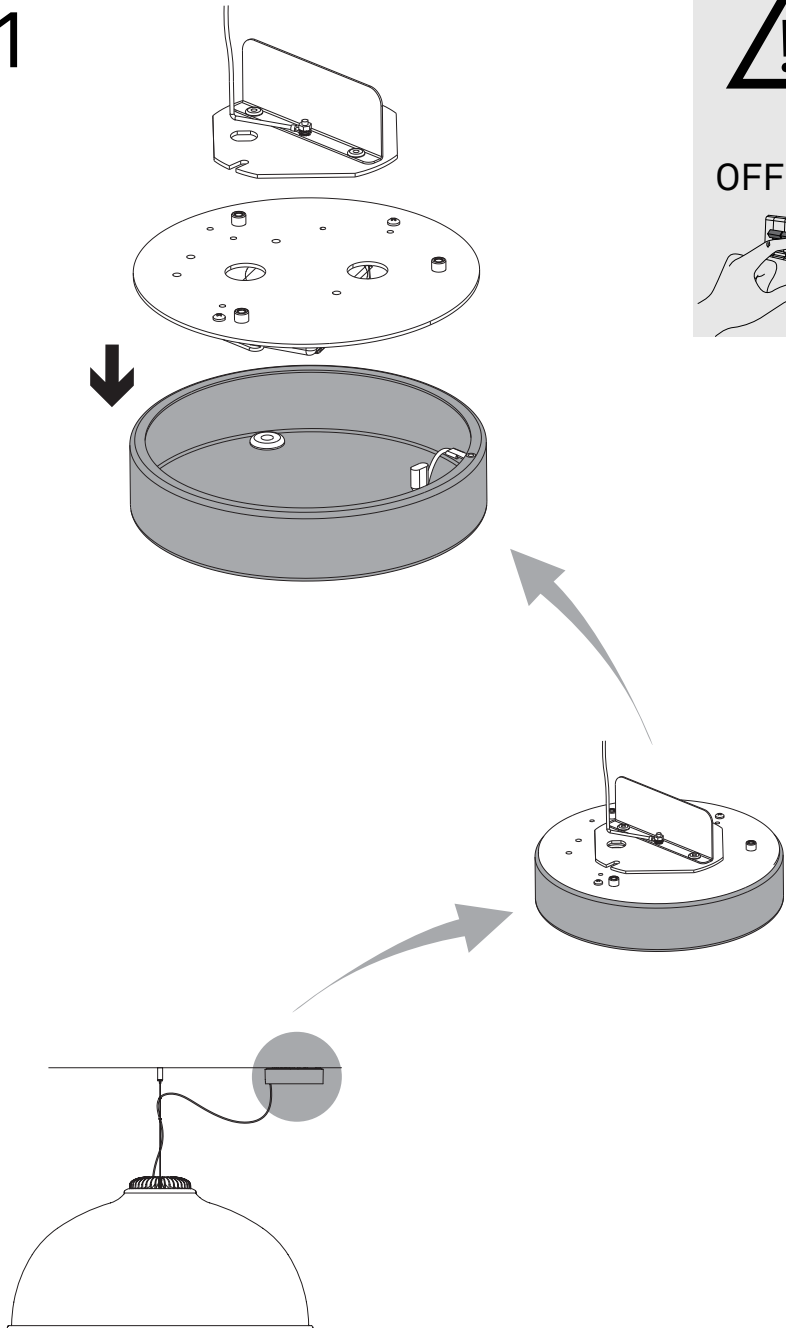
1.8



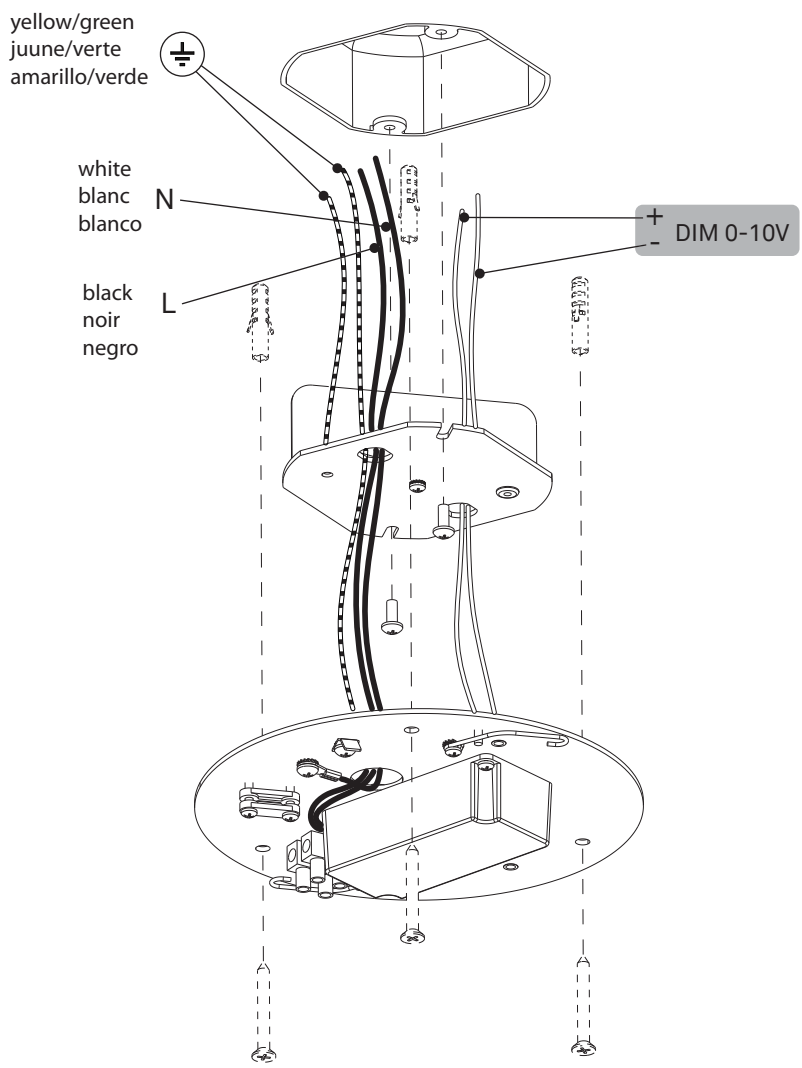
1.9



2 | 2.1

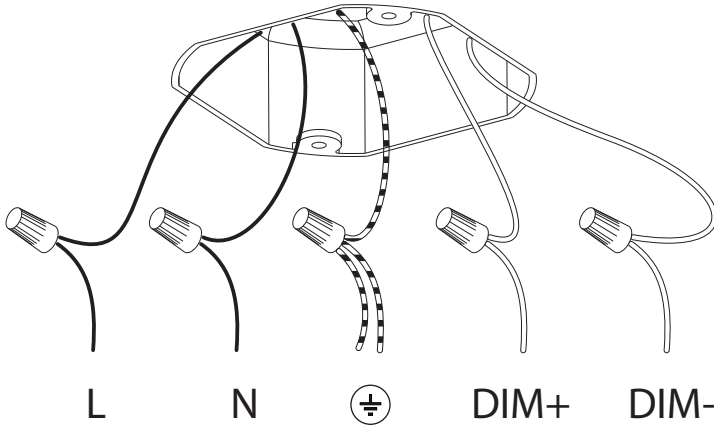


2.2



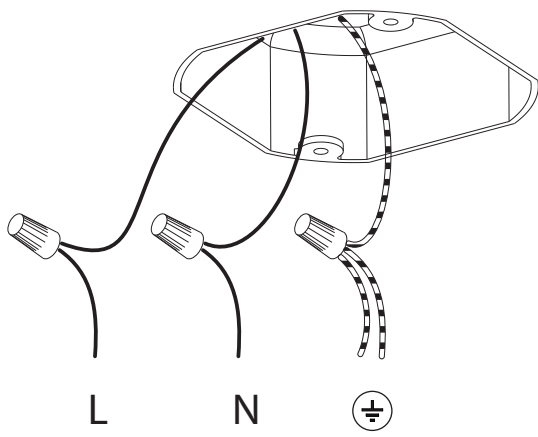
2.3

DIM 0-10V

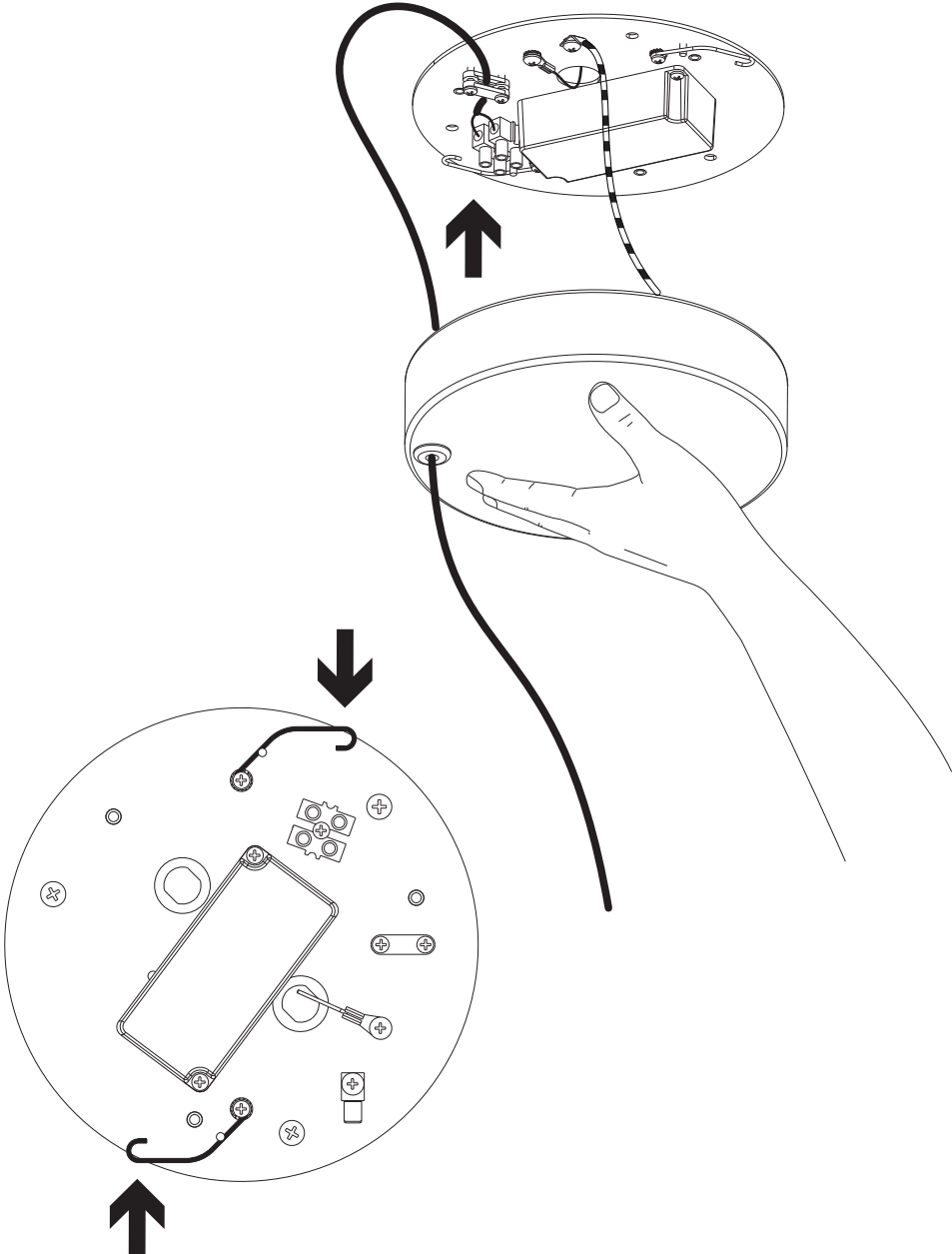


2.4

TRIAC/ELV 120V_{AC}

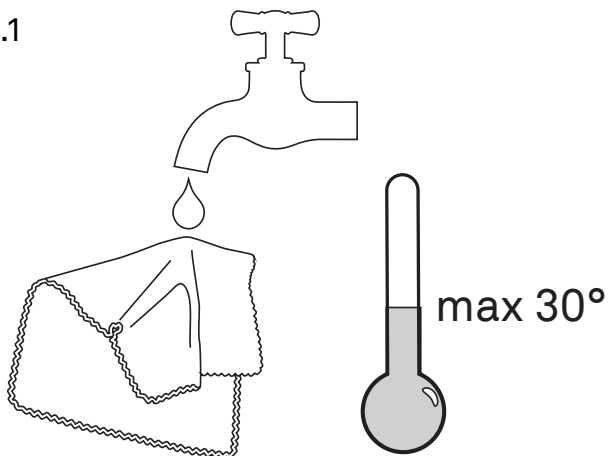


2.6

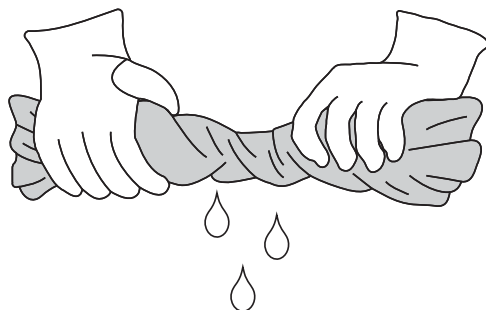


3

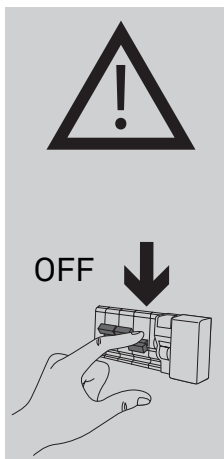
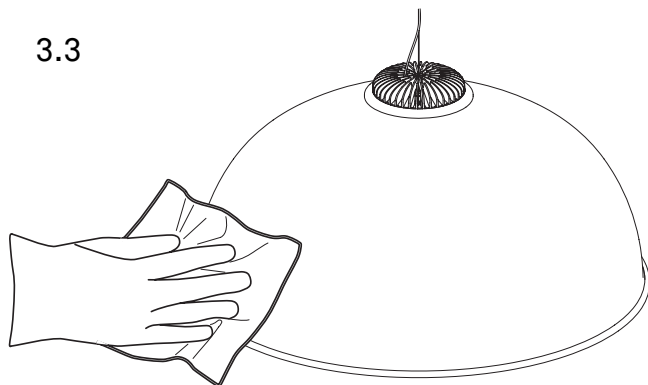
3.1



3.2



3.3





www.luceplan.com

D960I0101