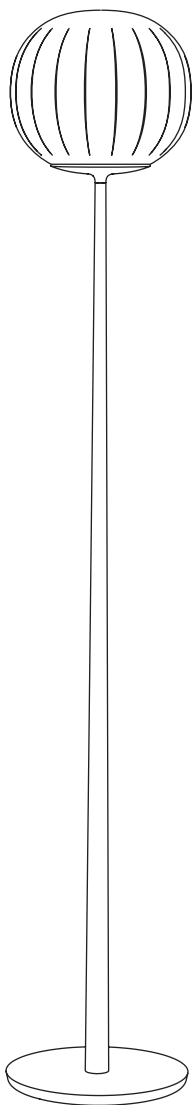


LITA

design David Dolcini



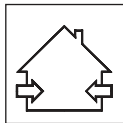
**LUCE
PLAN**

D92

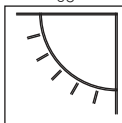


D92T30 - D92T42

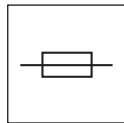
01



03



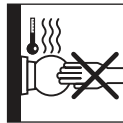
21



23



30



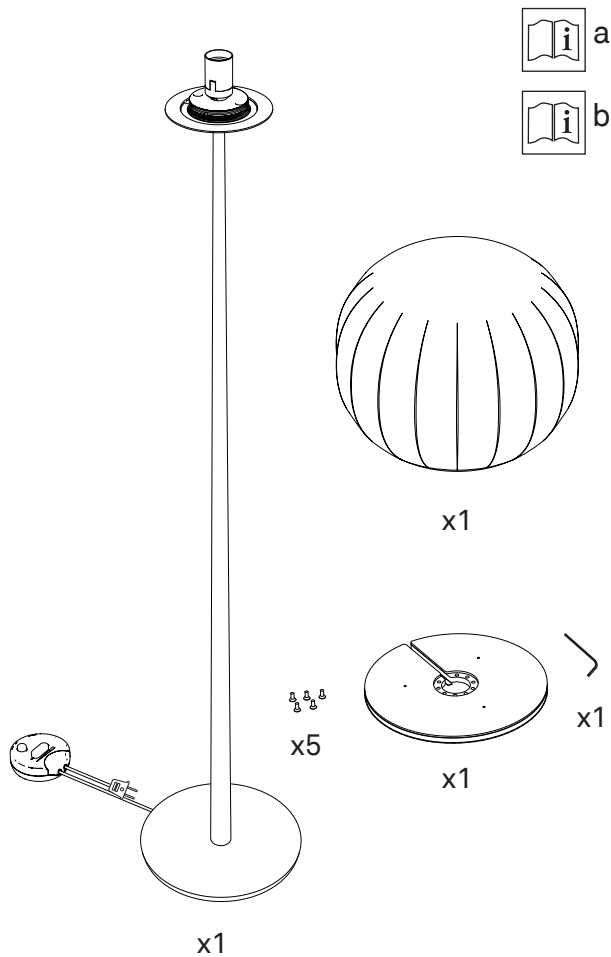
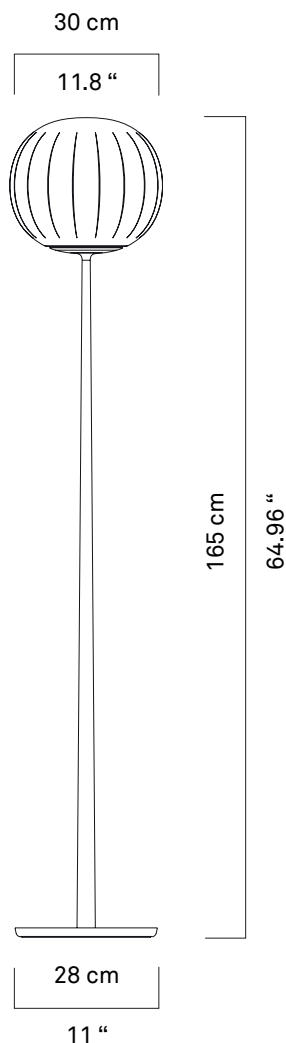
31



32



D92T30 + D92/3 - D92/5

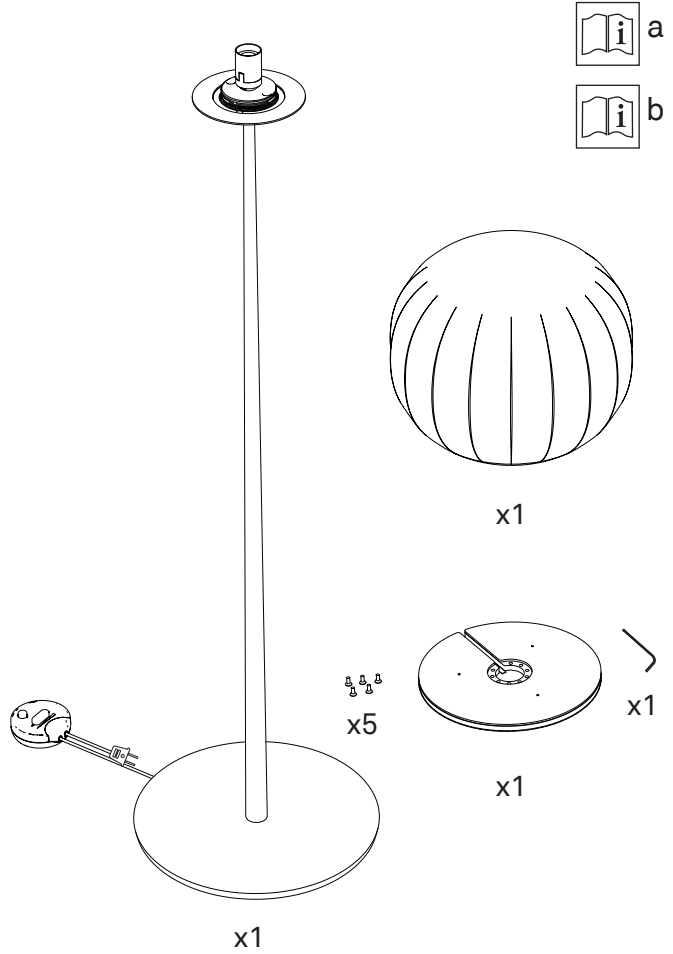
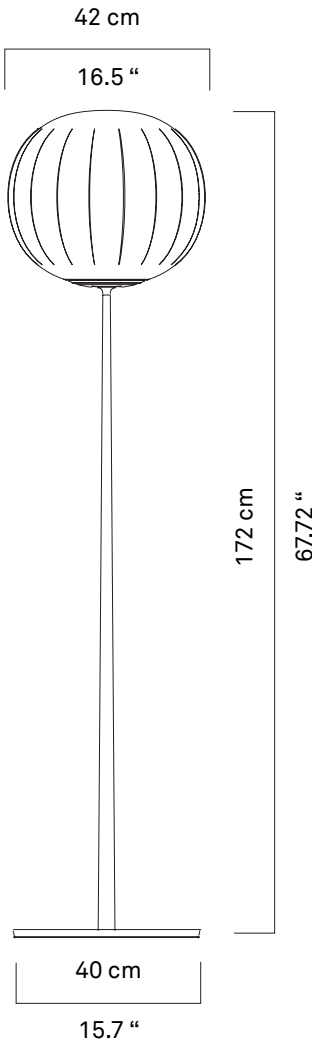


kg 3,0 kg

lb 6.6 lb



D92T42 + D92/4 + D92/6



kg 3,0 kg

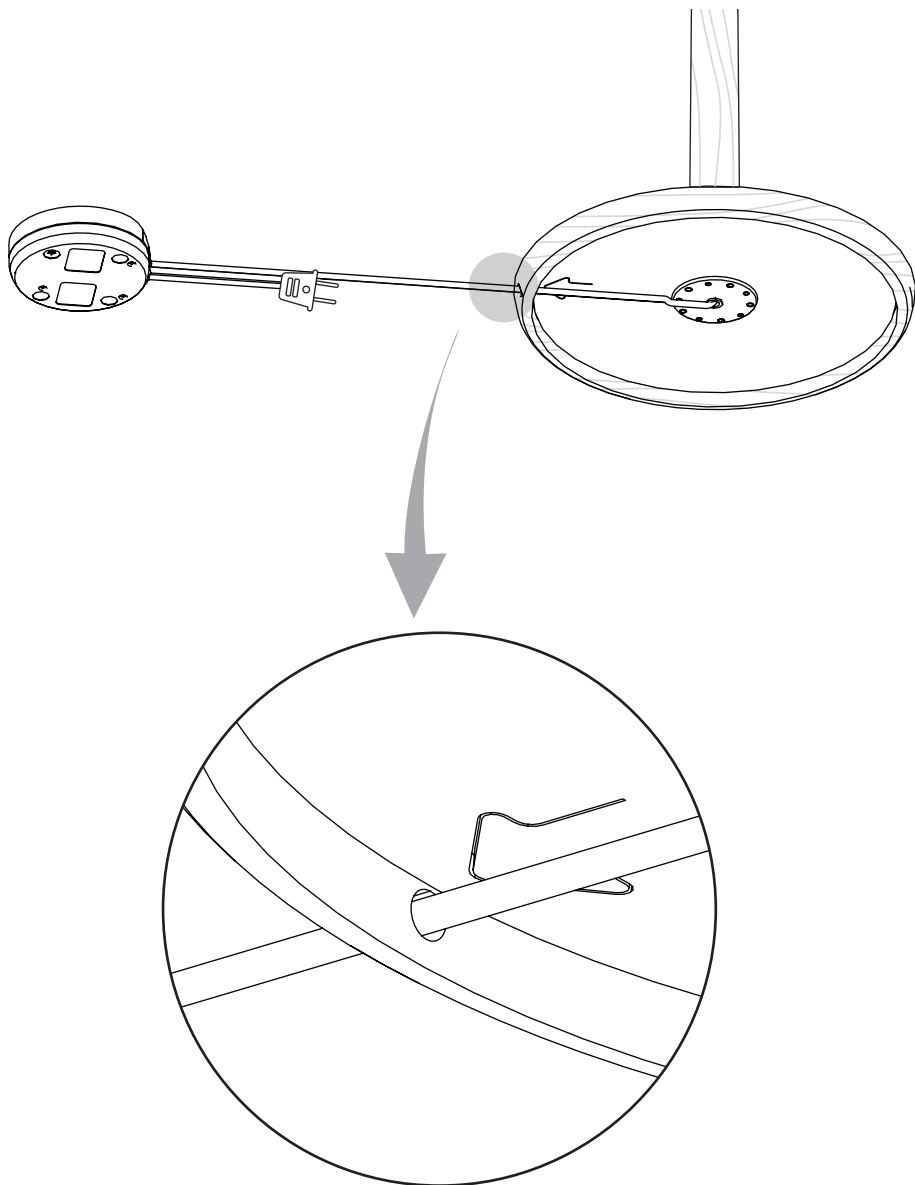
lb 6.6 lb



MAX
15W
LED
E26

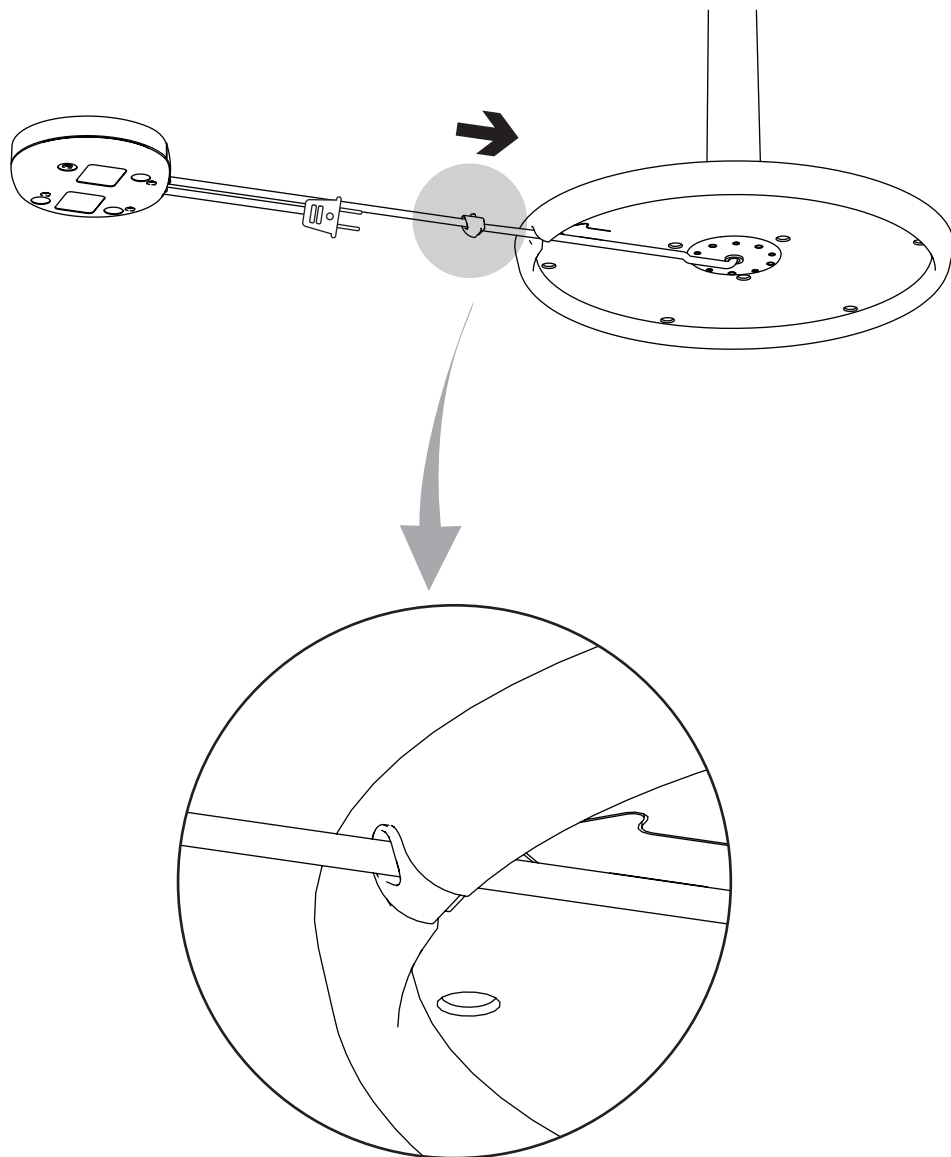
1

D92T30 + D92/5
D92T42 + D92/6

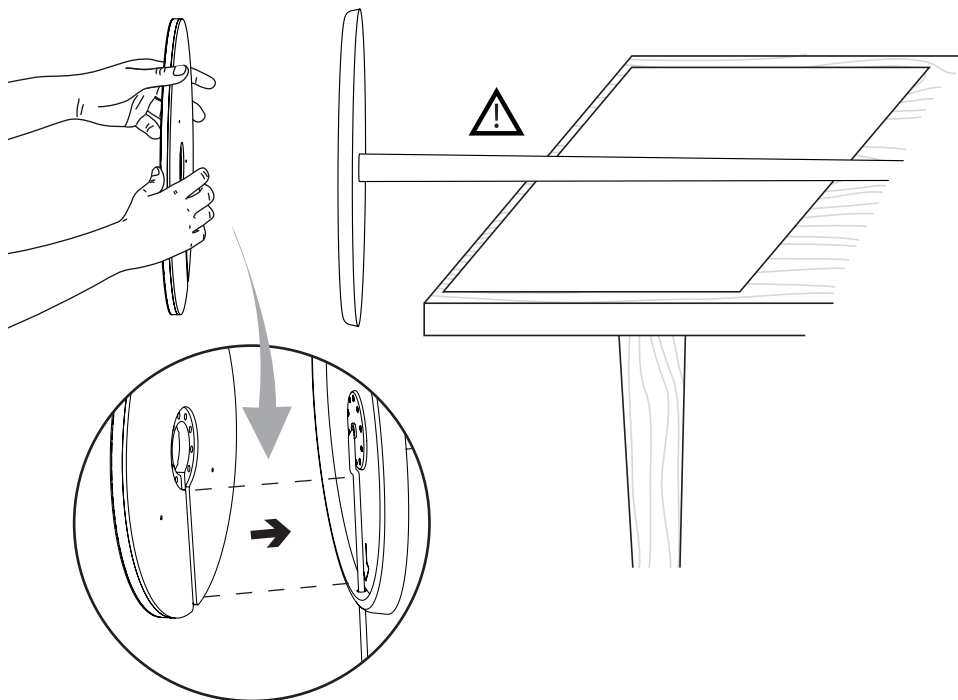


D92T30 + D92/5

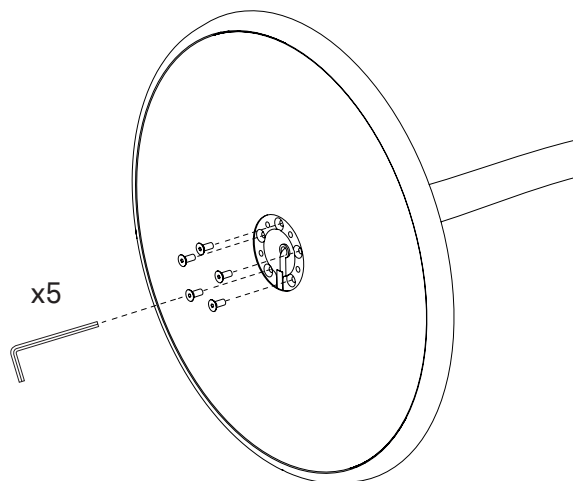
D92T42 + D92/6



1.1 D92T30 + D92/5 D92T42 + D92/6

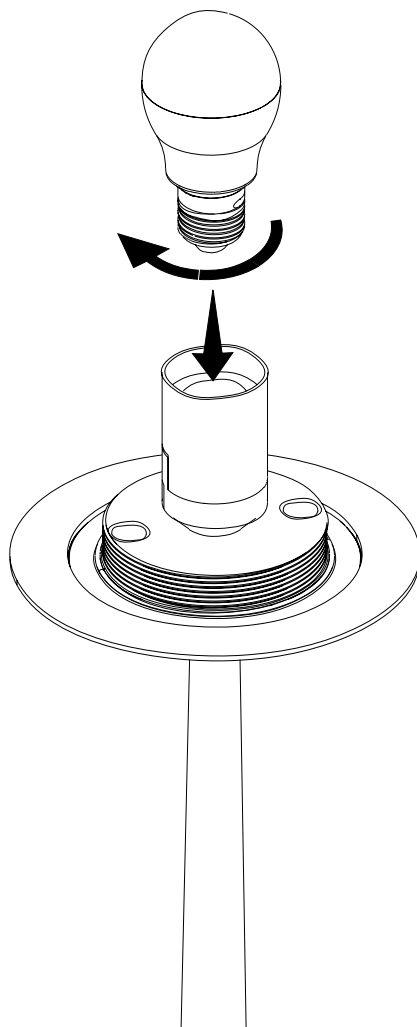


1.2 D92T30 + D92/5 D92T42 + D92/6



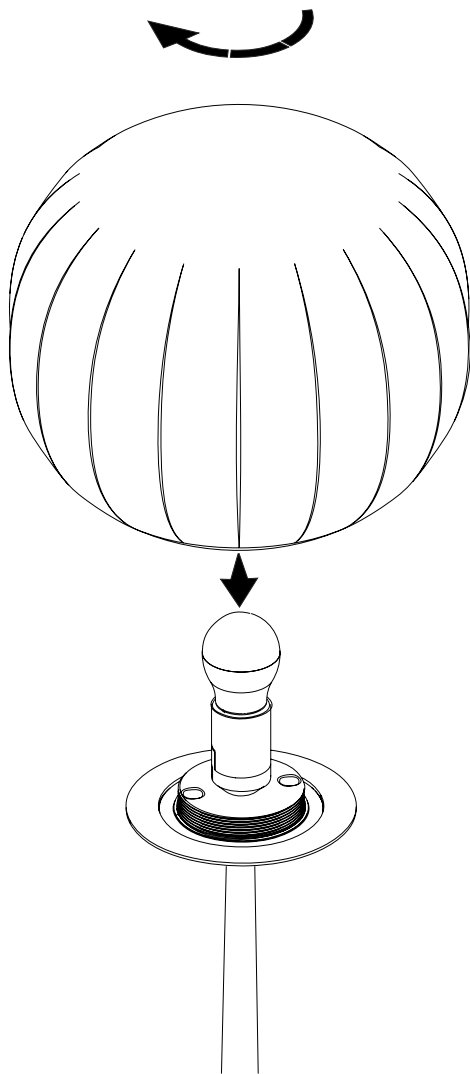
2

D92T30 - D92T42



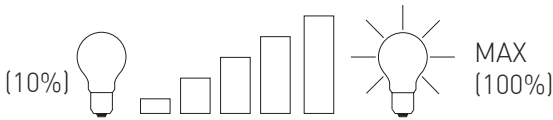
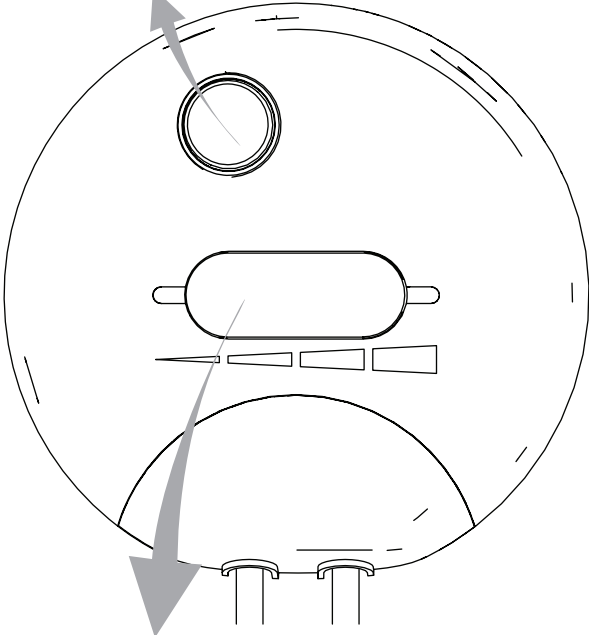
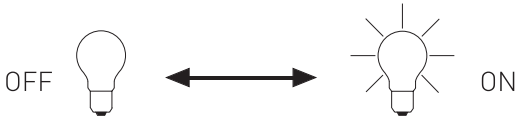
3



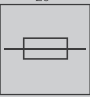
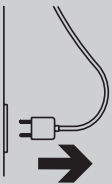
D92T30 - D92T42

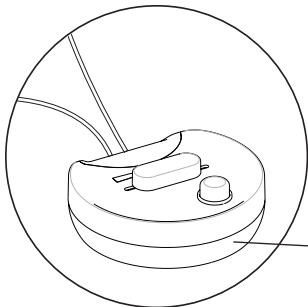


4

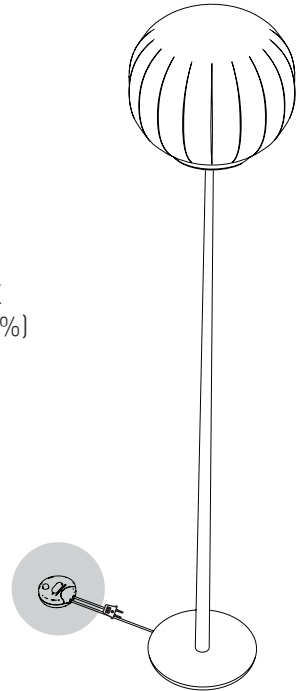
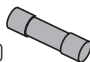
D92T30 - D92T42



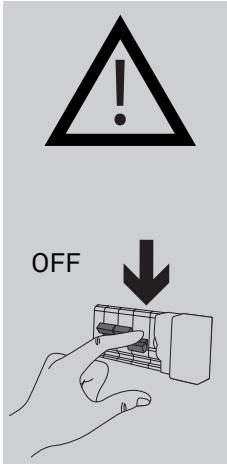


28





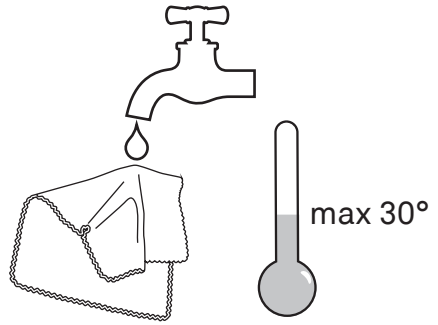
5x20
T 2,5A H 250V



5



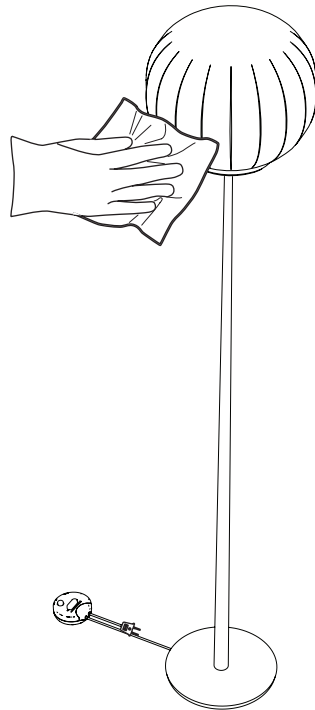
1.



2.



3.





www.luceplan.com

D920IB102