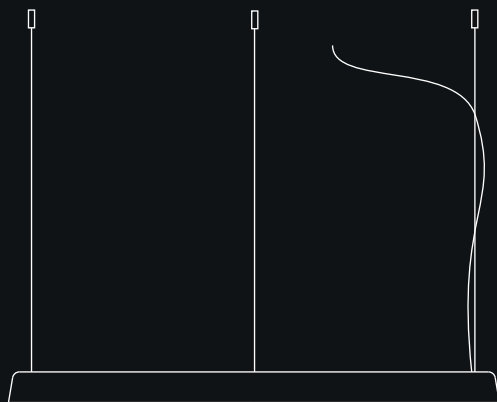


COMPENDIUM CIRCLE

design Daniel Rybakken



**LUCE
PLAN**

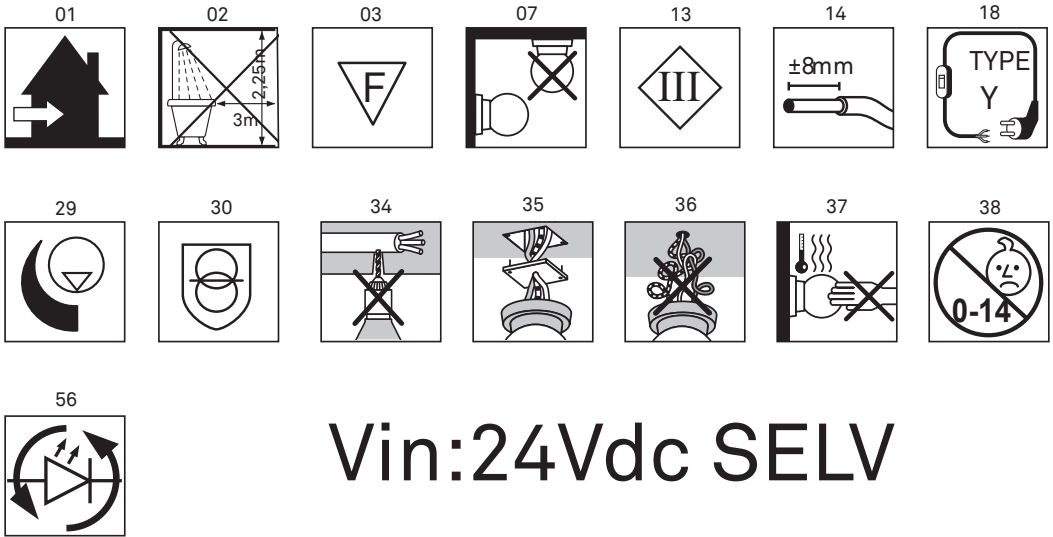
D81C



D81C07

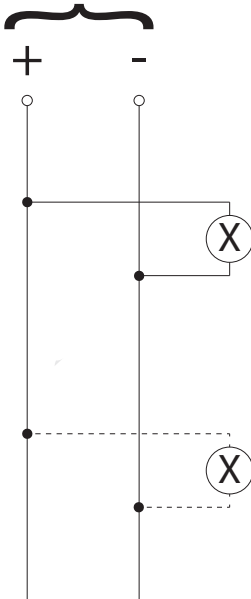
D81C11

D81C20



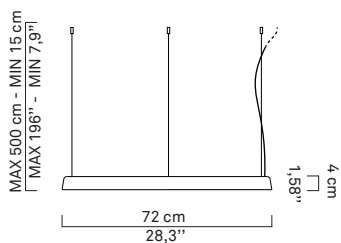
Vin:24Vdc SELV

24V --- SELV



Output PWM ~1Khz

D81C07



SELV - 54W



24V ---

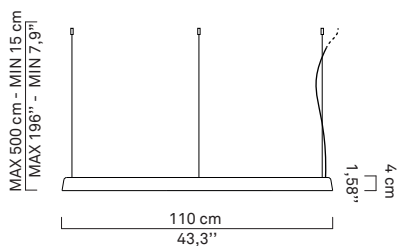
Output PWM ~1Khz

Vin:24Vdc

kg 1,95kg

lb 3 lb

D81C11



SELV - 75W



24V ---

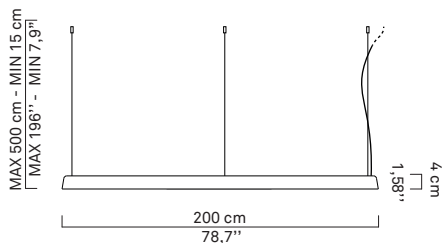
Output PWM ~1Khz

Vin:24Vdc

kg 3,1kg

lb 6,8 lb

D81C20



SELV - 110W



24V ---

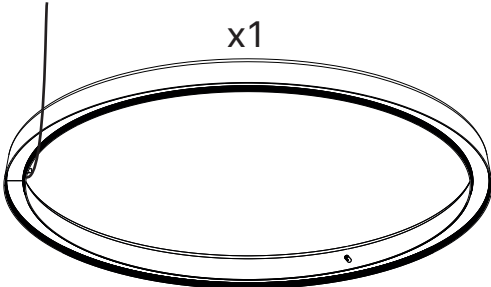
Output PWM ~1Khz

Vin:24Vdc

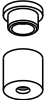
kg 6,3kg

lb 13,9 lb

D81C07
D81C11
D81C20



x 3



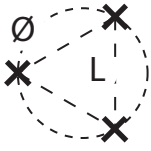
x 3





x 3

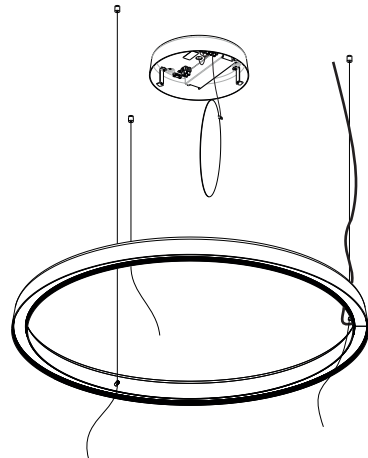
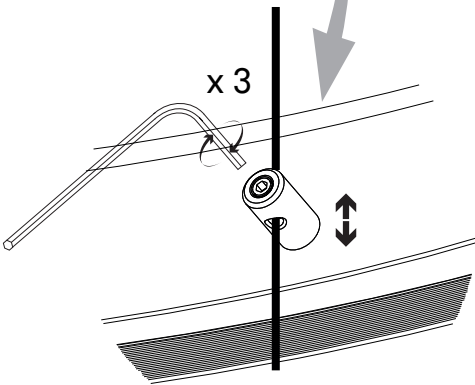
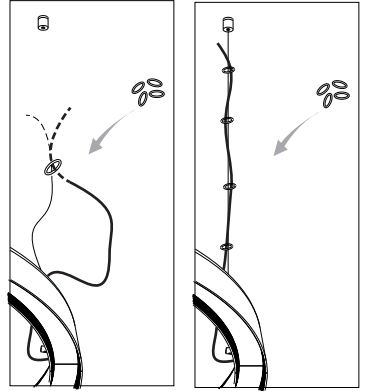
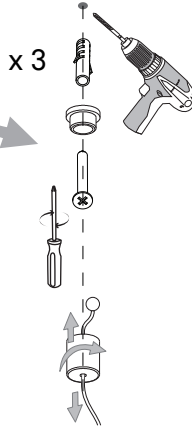
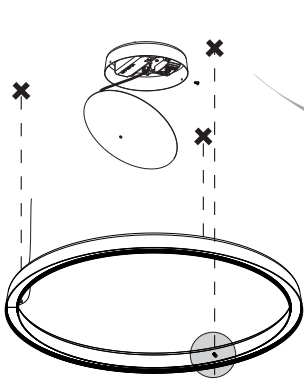
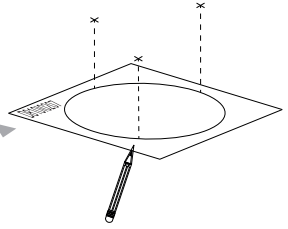


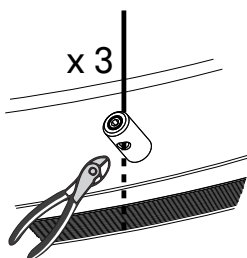
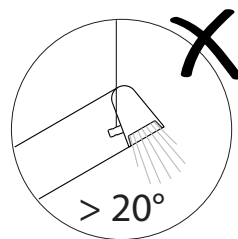
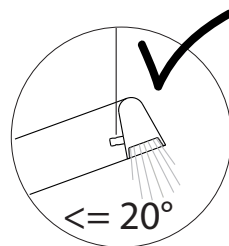
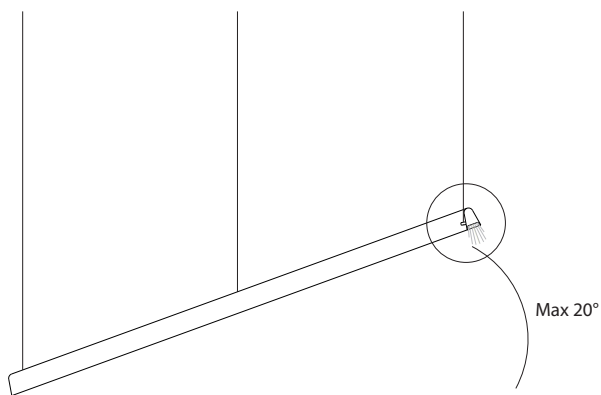
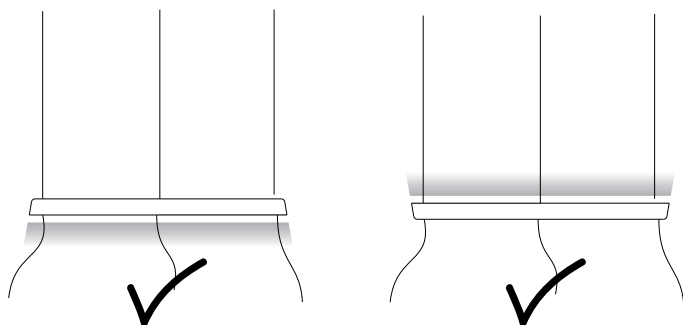
x 9



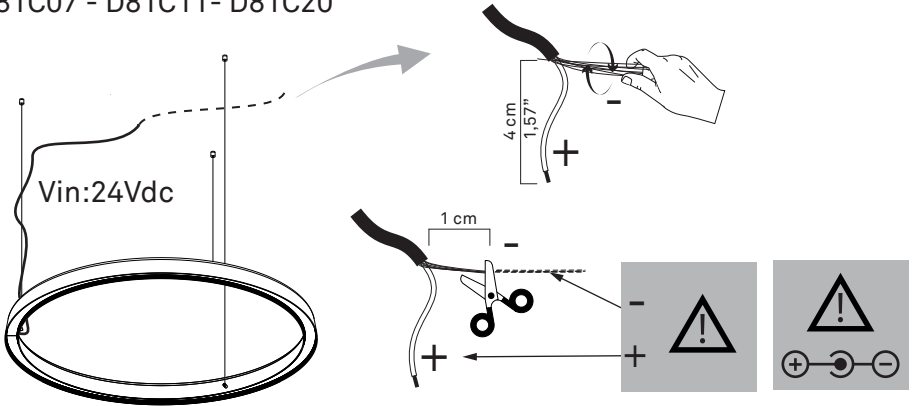
D81C07 Ø65 cm L=56 cm
 D81C11 Ø103 cm L=89 cm
 D81C20 Ø193 cm L=167 cm

 D810I0207
 D810I0208

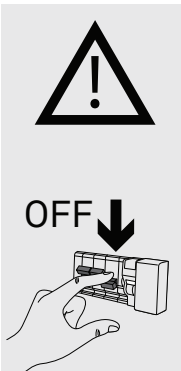
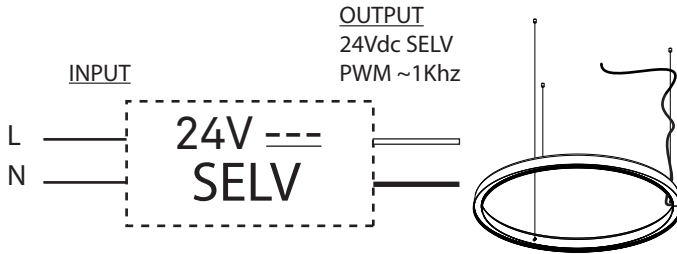




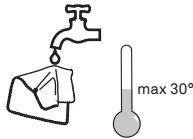
D81C07 - D81C11- D81C20



For use only with SELV power unit



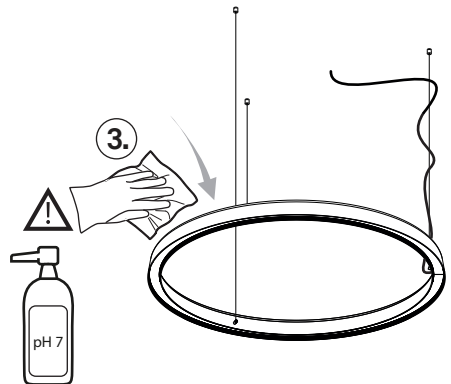
1.



2.



3.





www.luceplan.com

D810IB005