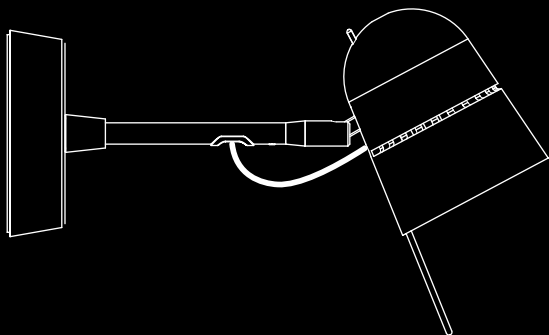


COUNTERBALANCE

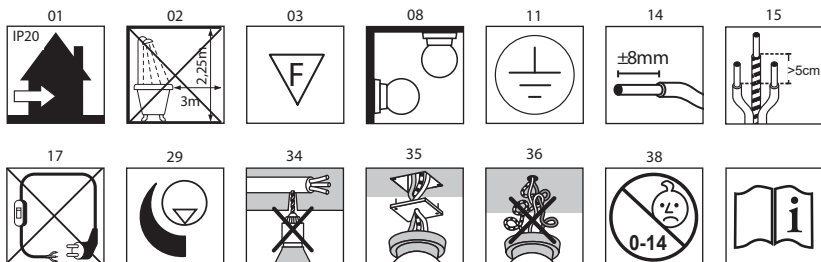
design Daniel Rybakken



**LUCE
PLAN**

D73NA



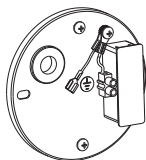
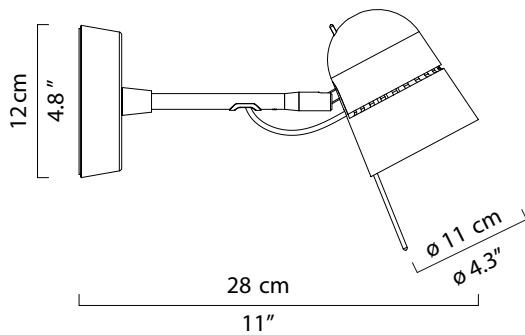




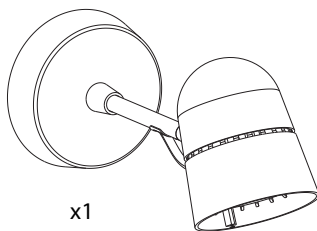
a



b



x1



x1

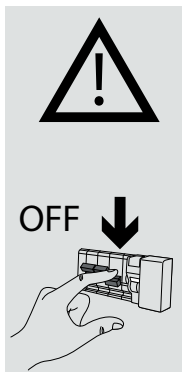
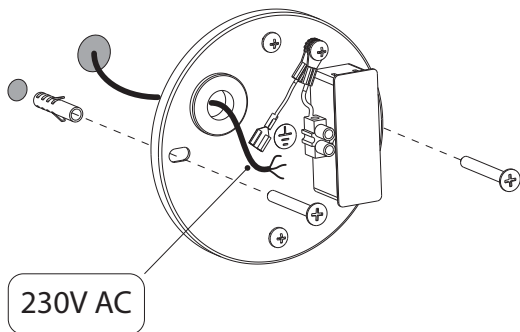


x1

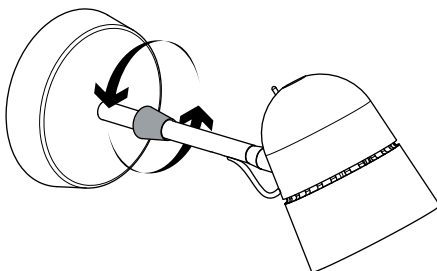
kg 0,9 kg

lb 1.8 lb

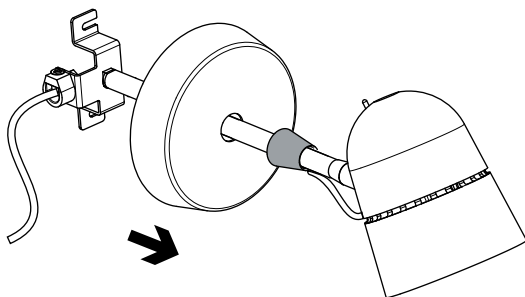
1.



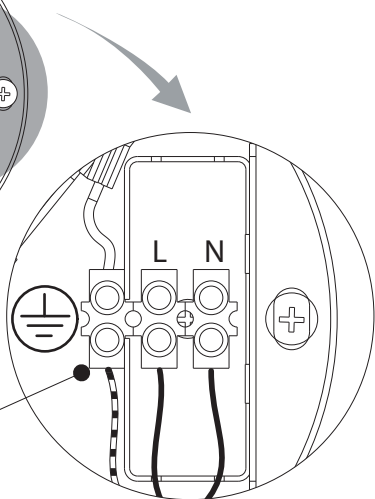
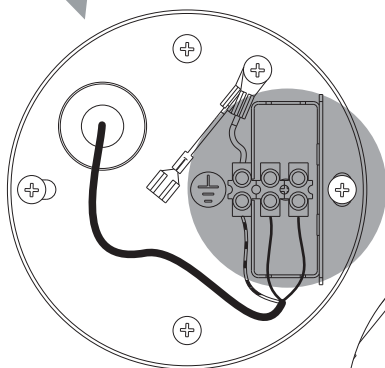
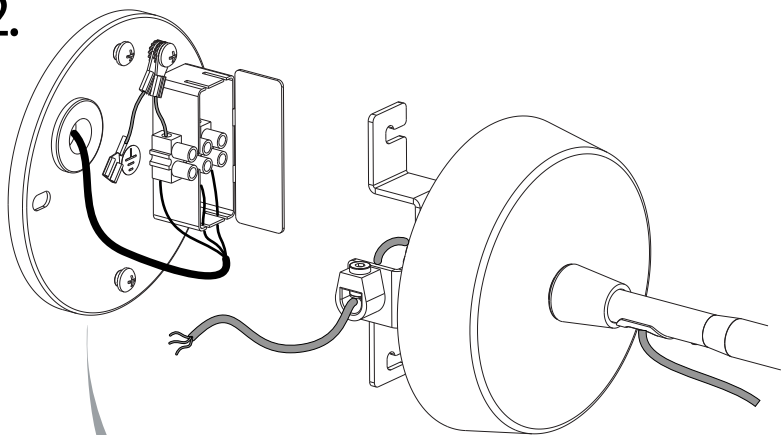
1.1



1.2

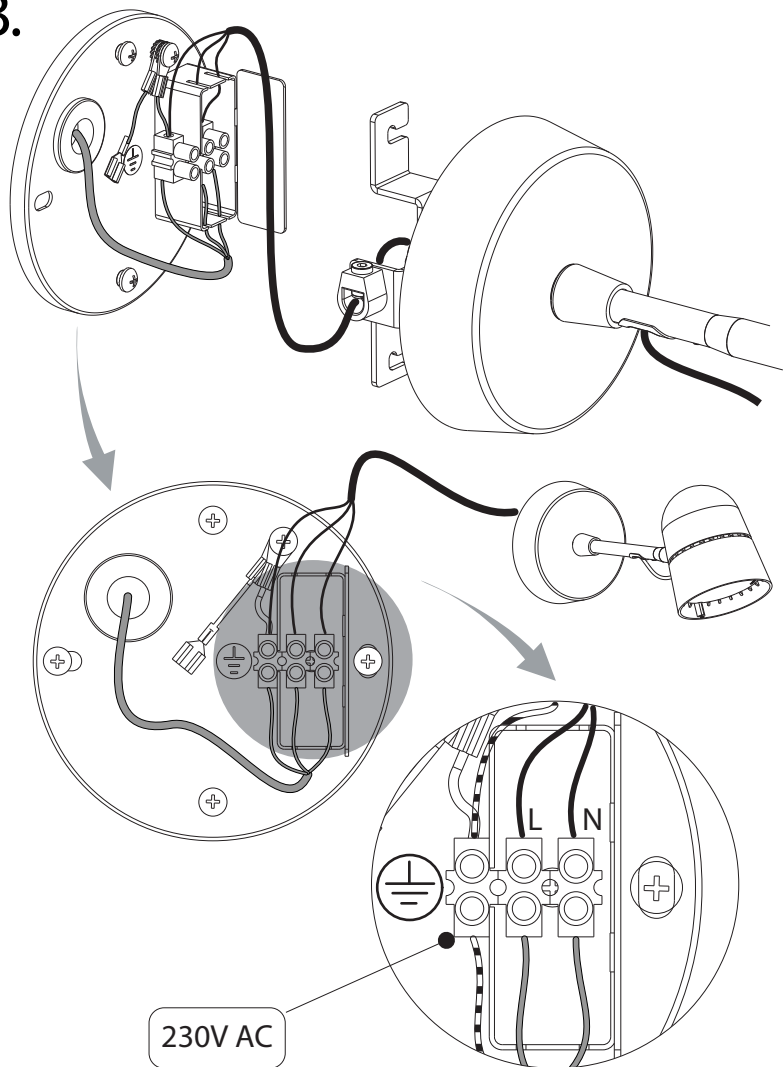


2.

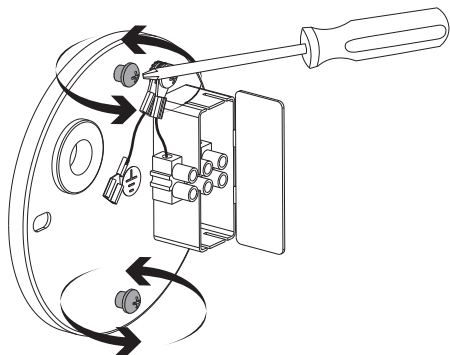


230V AC

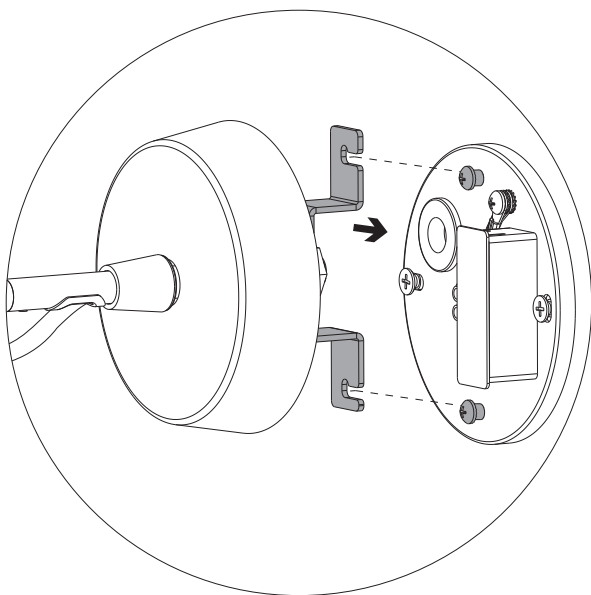
3.



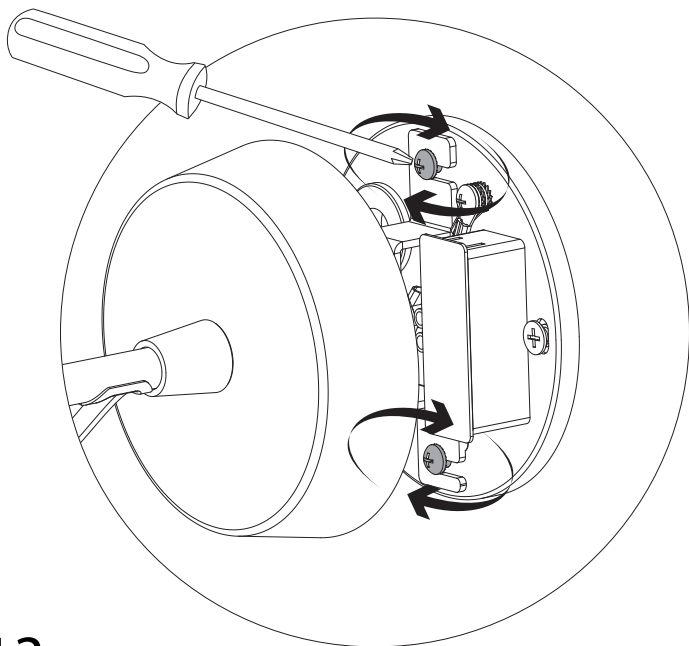
4.



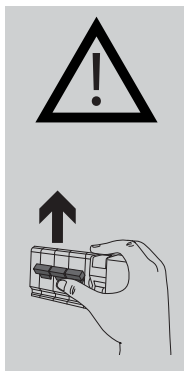
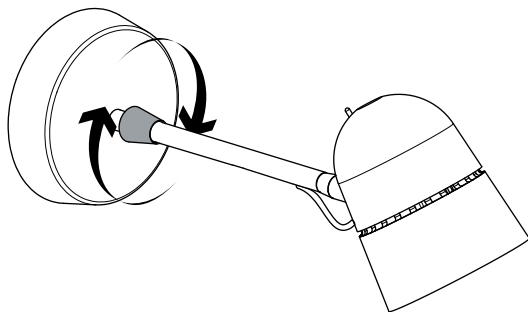
4.1



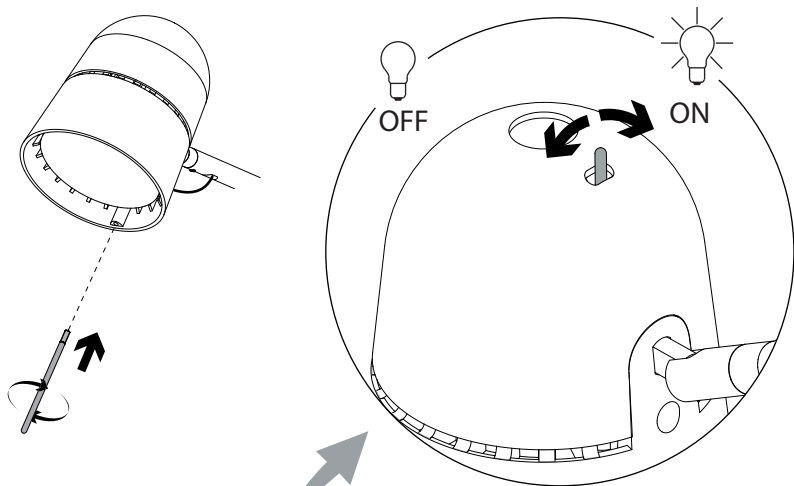
4.2



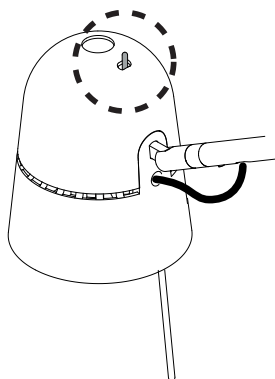
4.3

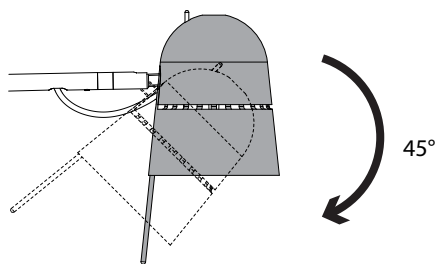
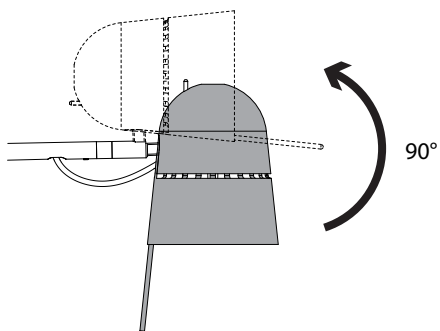
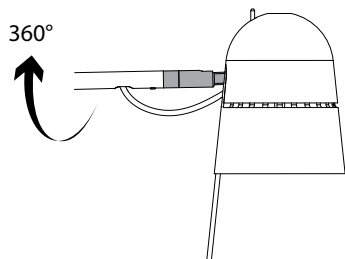


5.



6.







www.luceplan.com

D73010005